

GUN SPRINKLER



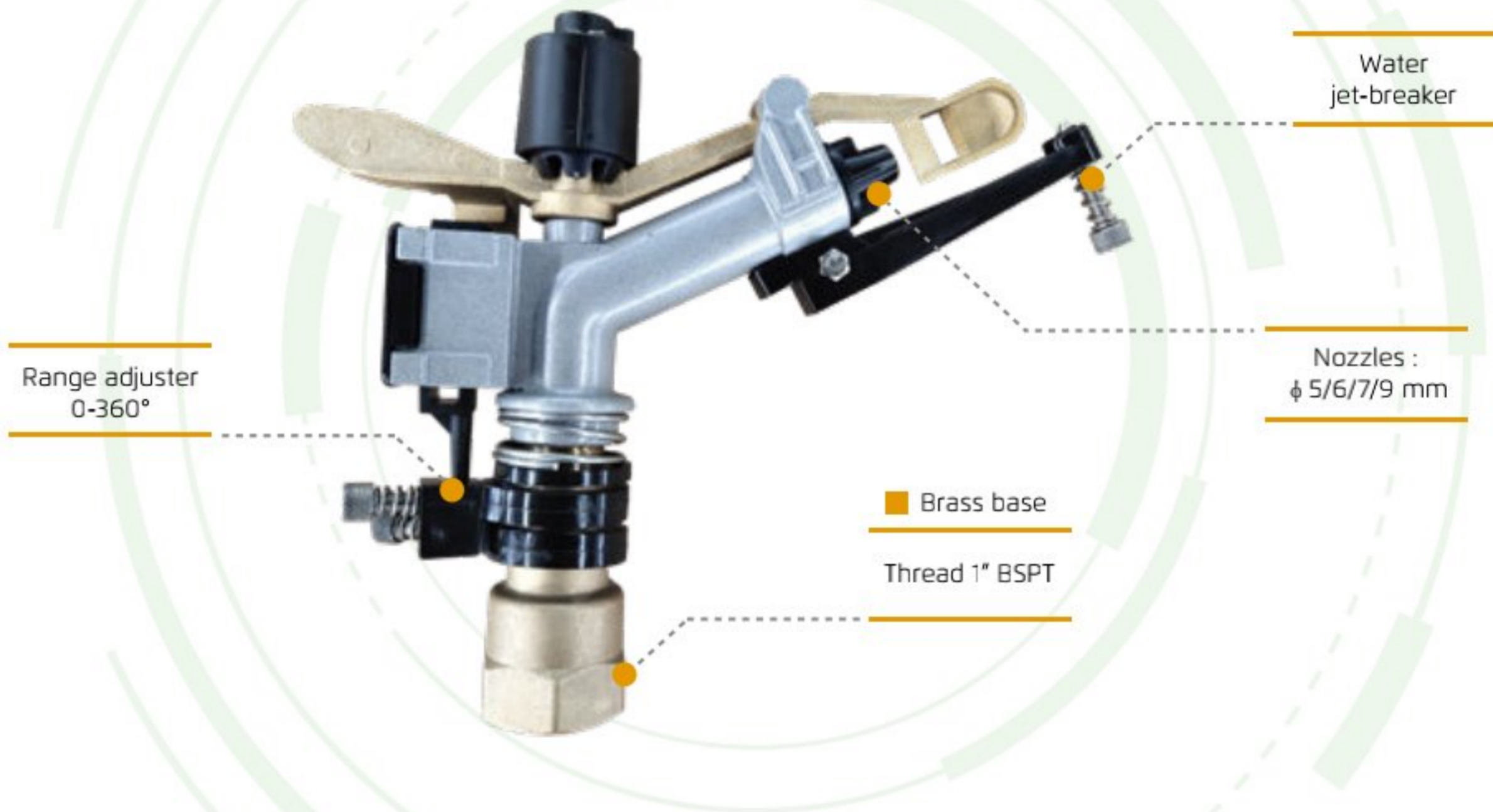
2020

1700.000C

Female thread

▲ 1"

SPRINKLER GUN



PARAMETER

- Size:** Thread 1" BSPT
- Material:** Aluminum alloy, copper, stainless steel, PA
- Sprinkling rang:** 12-19 M
- Working pressure:** 0.15-0.4 Mpa
- Flow:** 2- 6.5 L/H
- Nozzles:** 5mm, 6mm, 7mm, 9mm
- Rotation angle:** 360° adjustable

APPLICATION

- Irrigation
- Landscapes
- Nurseries
- Coffee Plantations
- Sports fields, Golf Courses
- Dust Suppression in Mines/ Industrie

■ **The sprinkler of medium discharge** for complete and part circle operation.

It is equipped with different interchangeable nozzles and an adjustable jet-breaker providing a uniform distribution of water all over the irrigated area.

The great simplicity and the large versatility are amongst its main features, in fact, it can be applied to all kinds of land and cultivation.

PACKAGE

PCS		WEIGHT(kg)		SIZE(cm)	
Inner box	Box	Inner box	Box	Inner box	Box
4	20	2.94	15.5	48*39*25	36.6*9.7*23.2

TECHNICAL PARAMETERS

U	P	Q	G
mm	kg/cm ²	m ³ /h	m
5	1.5	1.2	12.5
	2	1.3	13.5
	3	1.6	15
	4	1.9	16.5
6	1.5	1.6	13
	2	1.9	14.5
	3	2.3	16.5
7	4	2.7	17.5
	1.5	2.2	14
	2	2.6	15
9	3	3.1	17
	4	3.7	18.5
	1.5	3.7	15
9	2	4.3	16.5
	3	5.2	18.5
	4	6.1	19.5

1704.000D

Female thread

▲ 1-1/4"



SPRINKLER GUN

PARAMETER

- Size:** Thread 1-1/4" BSPT
- Material:** Aluminum alloy, copper, stainless steel, PA
- Sprinkling rang:** 16-29 M
- Working pressure:** 0.15-0.5 Mpa
- Flow:** 3.7-18.6 L/H
- Nozzles:** 8mm, 9mm, 10mm, 12mm, 14mm
- Rotation angle:** 360° adjustable

APPLICATION

- Irrigation
- Landscapes
- Nurseries
- Coffee Plantations
- Sports fields, Golf Courses
- Dust Suppression in Mines/ Industrie

■ **The sprinkler of medium discharge** for complete and part circle operation.

It is equipped with different interchangeable nozzles and an adjustable jet-breaker providing a uniform distribution of water all over the irrigated area.

The great simplicity and the large versatility are amongst its main features, in fact, it can be applied to all kinds of land and cultivation.

PACKAGE

PCS		WEIGHT(kg)		SIZE(cm)	
Inner box	Box	Inner box	Box	Inner box	Box
2	10	2.94	16.28	48*39*25	36.6*9.7*23.2

TECHNICAL PARAMETERS

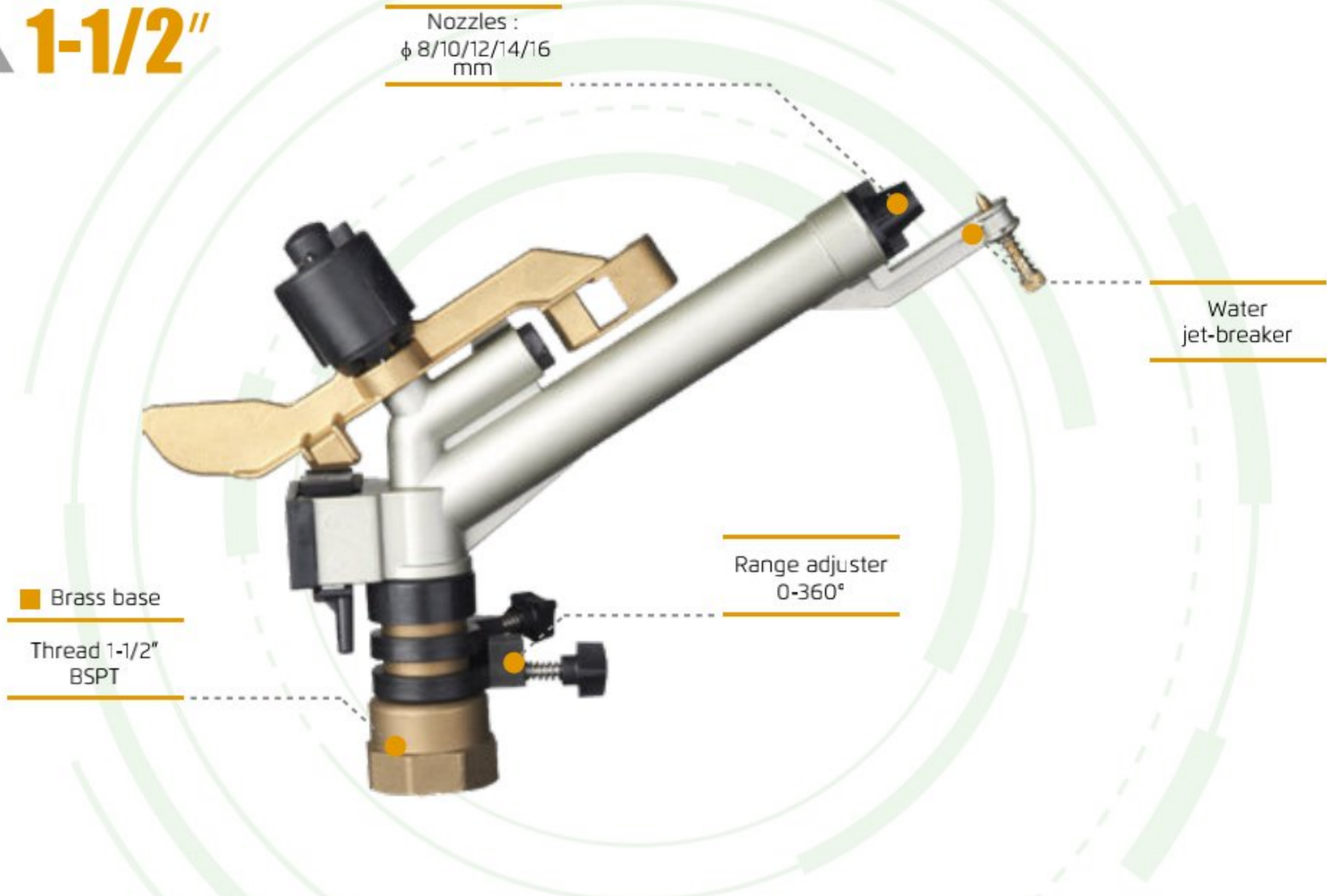
U	P	Q	G
mm	kg/cm ²	m ³ /h	m
8 4	15	3.7	16.5
	2	4.2	17.5
	3	5.2	19.5
	4	6	21
9 4	15	4.5	17
	2	5.3	18
	3	6.4	20
10 4	4	7.4	21.5
	15	6.4	16.5
	2	7.8	17.5
12 4	3	9	19.5
	4	10.2	21
	15	8.9	21
14 4	2	10.9	23.5
	3	12.6	26
	4	14.2	28
14 4	15	11.8	22.5
	2	14.4	24
	3	16.7	27
4	18.6	29	



1700.000E

Female thread

▲ 1-1/2"



PARAMETER

- Size:** Thread 1-1/2" BSPT
- Material:** Aluminum alloy, copper, stainless steel, PA
- Sprinkling rang:** 26-29 M
- Working pressure:** 0.15-0.5 Mpa
- Flow:** 5- 25 L/H
- Nozzles:** 8mm, 9mm, 10mm, 12mm, 14mm
- Rotation angle:** 360° adjustable

APPLICATION

- Irrigation
- Landscapes
- Nurseries
- Coffee Plantations
- Sports fields, Golf Courses
- Dust Suppression in Mines/ Industrie

■ **The sprinkler of medium discharge** for complete and part circle operation.

It is equipped with different interchangeable nozzles and an adjustable jet-breaker providing a uniform distribution of water all over the irrigated area.

The great simplicity and the large versatility are amongst its main features, in fact, it can be applied to all kinds of land and cultivation.

PACKAGE

PCS		WEIGHT(kg)		SIZE(cm)	
Inner box	Box	Inner box	Box	Inner box	Box
2	10	3.14	16.28	48*39*25	36.6*97*23.2

TECHNICAL PARAMETERS

U	P	Q	G
mm	kg/cm ²	m ³ /h	m
8	1.5	5.1	16
	2	5.9	17.5
	3	7.2	19.5
	4	8.4	21
10	2	7.8	18
	3	9.5	21
	4	11	23
12	5	12.4	24.5
	2	10.1	19.5
	3	12.4	22
14	4	14.3	25
	5	16.1	27.5
	2	12.9	20.5
16	3	15.8	23.5
	4	18.3	26
	5	20.5	28.5
15	2	16	21
	3	19.6	24
	4	22.7	26.5
5	24.8	29	

1704.000E

Female thread

▲ 1-1/2"



SPRINKLER GUN

PARAMETER

- Size:** Thread 1-1/2" BSPT
- Material:** Aluminum alloy, copper, stainless steel, PA
- Sprinkling rang:** 18-36 M
- Working pressure:** 0.2-0.6 Mpa
- Flow:** 5-25 L/H
- Nozzles:** 10mm, 12mm, 14mm, 16mm, 18mm
- Rotation angle:** 360° adjustable

APPLICATION

- Irrigation
- Landscapes
- Nurseries
- Coffee Plantations
- Sports fields, Golf Courses
- Dust Suppression in Mines/ Industrie

■ **The sprinkler of medium discharge** for complete and part circle operation. It is equipped with different interchangeable nozzles and an adjustable jet-breaker providing a uniform distribution of water all over the irrigated area. The great simplicity and the large versatility are amongst its main features, in fact, it can be applied to all kinds of land and cultivation.

TECHNICAL PARAMETERS

U	P	Q	G
mm	kg/cm ²	m ³ /h	m
10 5	2	7.8	18
	3	9.5	21
	4	11	23
	5	12.4	24.5
12 5	2	9.1	20
	3	10.9	24
	4	12.6	27
14 5	5	14.1	30
	2	11.7	21
	3	14.3	25
16 5	4	16.6	29
	5	18.5	31
	2	14.8	22
18 5	3	18.2	26
	4	21	30
	5	23.4	33
18 5	2	22.7	28
	3	26.2	31
	4	29.2	34
	5	31.9	36

PACKAGE

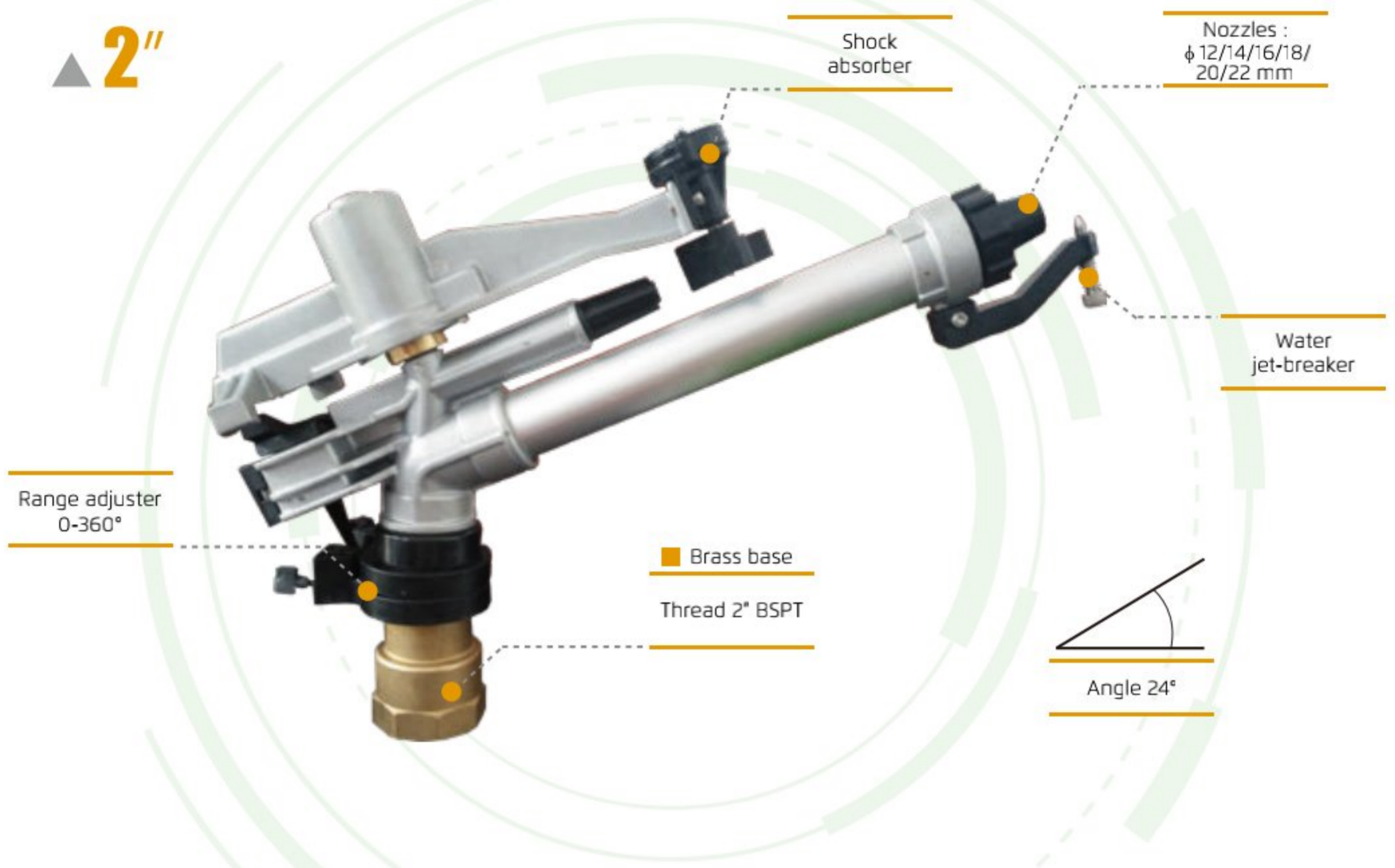
PCS		WEIGHT(kg)		SIZE(cm)	
Inner box	Box	Inner box	Box	Inner box	Box
2	10	2.74	14.52	48*39*25	36.6*9.7*23.2



1704.000D

Female thread

▲ 2"



PARAMETER

- Size:** Thread 2" BSPT
- Material:** Aluminum alloy, copper, stainless steel, PA
- Sprinkling rang:** 20-43 M
- Working pressure:** 0.15-0.5 Mpa
- Flow:** 10-40 L/H
- Nozzles:** 12mm, 14mm, 16mm, 18mm, 20mm, 22mm
- Rotation angle:** 360° adjustable

APPLICATION

- Irrigation
- Landscapes
- Nurseries
- Coffee Plantations
- Sports fields, Golf Courses
- Dust Suppression in Mines/ Industrie

TECHNICAL PARAMETERS

U	P	Q	G
mm	kg/cm ²	m ³ /h	m
12	1.5	9.5	20
	2	11	23
	3	13.4	27
	4	15.5	30
14	1.5	13.8	25
	2	16.8	29
	3	19.5	32
	4	21.8	34
16	1.5	16.9	27
	2	20.6	31
	3	23.9	34
	4	26.7	37
18	1.5	20.6	28
	2	26	33
	3	30.3	36
	4	33.6	40
20	1.5	24.6	29
	2	31.2	34
	3	36.3	38
	4	39.4	43

■ **The sprinkler of medium discharge** for complete and part circle operation. It is equipped with different interchangeable nozzles and an adjustable jet-breaker providing a uniform distribution of water all over the irrigated area. The great simplicity and the large versatility are amongst its main features, in fact, it can be applied to all kinds of land and cultivation.

PACKAGE

PCS		WEIGHT(kg)		SIZE(cm)	
Inner box	Box	Inner box	Box	Inner box	Box
1	5	3.64	19.35	49.5*10.8*32.2	57*51.5*34

1704.000E

Female thread

▲ 2"



Nozzles :
φ 14/16/18/20/
22 mm



PARAMETER

- Size:** Thread 2" BSPT
- Material:** Aluminum alloy, copper, stainless steel, PA
- Sprinkling rang:** 26-55 M
- Sprinkling height:** 15-34 M
- Working pressure:** 0.3-0.8 Mpa
- Flow:** 17-52 L/H
- Nozzles:** 14mm, 16mm, 18mm, 20mm, 22mm (Aluminum alloy)
- Rotation angle:** 360° adjustable

■ **The sprinkler of medium discharge** for complete and part circle operation. It is equipped with different interchangeable nozzles and an adjustable jet-breaker providing a uniform distribution of water all over the irrigated area. The great simplicity and the large versatility are amongst its main features, in fact, it can be applied to all kinds of land and cultivation.

PACKAGE

PCS		WEIGHT(kg)		SIZE(cm)	
Inner box	Box	Inner box	Box	Inner box	Box
1	5	3.64	19.35	49.5*10.8*32.2	57*51.5*34

APPLICATION

- Irrigation
- Landscapes
- Nurseries
- Coffee Plantations
- Sports fields, Golf Courses
- Dust Suppression in Mines/ Industrie

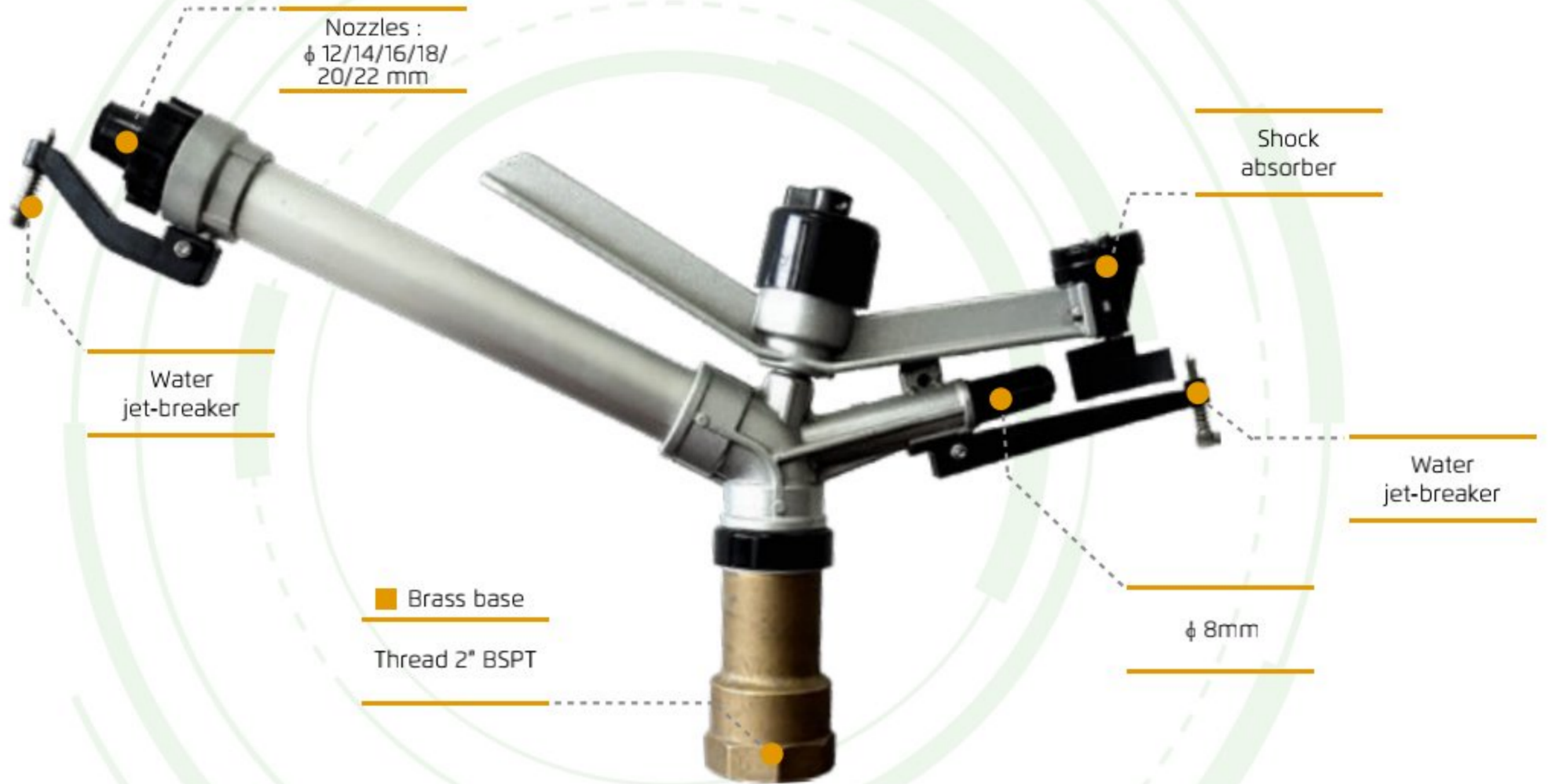
TECHNICAL PARAMETERS

U	P	Q	G	H
mm	kg/cm ²	m ³ /h	m	m
14	3	16.8	26	15
	4	19.5	28	17
	5	21.8	30	19
	6	23.5	33	21
16	3	20.6	28.5	17
	4	23.9	30.5	18
	5	26.7	33.5	21
	6	30.1	35.5	23
18	4	30.3	34	20
	5	33.6	36	23
	6	36.2	38.5	25
	7	39	40.5	27
20	4	36.3	36.5	22
	5	39.4	39	24
	6	42.2	41	27
	7	45	42.5	28
22	4	42.8	39	23
	5	45.2	42.5	25
	6	47.6	46	28
	7	49.4	51	31
	8	52	55	34

1704.00YD

Female thread

▲ 2"



PARAMETER

- Size:** Thread 2" BSPT
- Material:** Aluminum alloy, copper, stainless steel, PA
- Sprinkling rang:** 20-46.5 M
- Working pressure:** 0.15-0.5 Mpa
- Flow:** 10-50.3 L/H
- Nozzles:** 12mm, 14mm, 16mm, 18mm, 20mm, 22mm
- Rotation angle:** 360° adjustable

■ **The sprinkler of medium discharge** for complete and part circle operation.

It is equipped with different interchangeable nozzles and an adjustable jet-breaker providing a uniform distribution of water all over the irrigated area.

The great simplicity and the large versatility are amongst its main features, in fact, it can be applied to all kinds of land and cultivation.

PACKAGE

PCS		WEIGHT(kg)		SIZE(cm)	
Inner box	Box	Inner box	Box	Inner box	Box
1	5	3.00	16.36	60.7*8.1*32.2	63*43*34

APPLICATION

- Irrigation
- Landscapes
- Nurseries
- Coffee Plantations
- Sports fields, Golf Courses
- Dust Suppression in Mines/ Industrie

TECHNICAL PARAMETERS

U	P	Q	G
mm	kg/cm ²	m ³ /h	m
12 8	1.5	9.5	20
	2	11	23
	3	13.4	27
	4	15.5	30
14 8	2	13.8	25
	3	16.8	29
	4	19.5	32
	5	21.8	34
16 8	2	16.9	27
	3	20.6	31
	4	23.9	34
	5	26.7	37
18 8	2	20.6	28
	3	26	33
	4	30.3	36
	5	33.6	40
20 8	2	24.6	29
	3	31.2	34
	4	36.3	38
	5	39.4	43
22 8	2	35.4	34.5
	3	40.9	39
	4	45.9	44
	5	50.3	46.5

1701.000F

Turbo Spray Gun

Female thread



▲ 2"



PARAMETER

- Size:** Thread 1-1/2" BSPT
- Material:** Aluminum alloy, copper, stainless steel, PA
- Sprinkling rang:** 22-41 M
- working pressure:** 0.2-0.5 Mpa
- Flow:** 10-37 L/H
- Nozzles:** 12mm,14mm, 16mm, 18mm, 20mm, 22mm
- Rotation angle:** 360° adjustable

APPLICATION

- Irrigation
- Landscapes
- Nurseries
- Coffee Plantations
- Sports fields, Golf Courses
- Dust Suppression in Mines/ Industrie

■ A sprinkler version which is able to rotate in a full-circle or in the range of angle settings you make when required, operating at medium pressure. With its replaceable nozzles and moving water-breaking system, it enables you to irrigate your field with an excellent and uniform water distribution. It rotates full circle and semi-circle at same speed. It is suitable for any use, agricultural or industrial. It has single-hole nozzle of new type. As it is, it operates with less water, minimizing the problem of nozzle-clogging arising from wastewater. It has special paint of new type and it is much more durable against environmental factors thanks to new type powder paint.

PACKAGE

PCS		WEIGHT(kg)		SIZE(cm)	
Inner box	Box	Inner box	Box	Inner box	Box
-	1	-	-	-	60*26*23.6

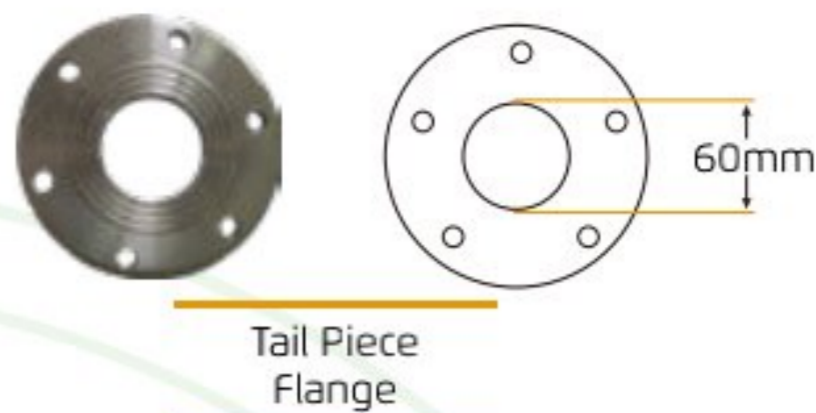
TECHNICAL PARAMETERS

U	P	Q	G
mm	kg/m ²	m ³ /h	m
12	2	9.5	22
	3	11.6	25
	4	13.4	28
	5	15.1	31
14	2	11.7	24
	3	15	27
	4	17.4	30
16	5	19.4	33
	2	15.4	26
	3	18.9	29
18	4	21.8	32
	5	24.3	35
	2	19	28
20	3	24.2	31
	4	28.3	34
	5	31.3	37
20	2	21.2	30
	3	29.4	33
	4	34.3	37
5	37	41	

1701.00F1

Turbo Spray Gun

Flange connection



▲ 2"

Nozzles :
φ 14/16/18/20/
22 mm



PARAMETER

- Size:** Flange 2"
- Material:** Aluminum alloy, copper, stainless steel, PA
- Sprinkling rang:** 26-53 M
- working pressure:** 0.2-0.7 Mpa
- Flow:** 10-37 L/H
- Nozzles:** 16mm, 18mm, 20mm, 22mm, 24mm, 26mm
- Rotation angle:** 360° adjustable

APPLICATION

- Irrigation
- Landscapes
- Nurseries
- Coffee Plantations
- Sports fields, Golf Courses
- Dust Suppression in Mines/ Industrie

TECHNICAL PARAMETERS

U	P	Q	G
mm	kg/cm ²	m ³ /h	m
16	2	17.8	26
	3	21.8	28
	4	25.2	32
	5	28.1	35
18	3	27.1	32
	4	31.6	35
	5	35	38
20	6	38.7	41
	3	31.2	36
	4	36	40
22	5	40.3	43
	6	44	46
	4	42.2	41
24	4.5	44.8	43
	5	47.3	45
	6	51.8	48
26	4	49.2	43
	4.5	52.2	45
	5	55	47
28	6	60.3	50
	4	56.7	45
	5	63.4	48
30	6	69.6	51
	7	75	d

■ A sprinkler version which is able to rotate in a full-circle or in the range of angle settings you make when required, operating at medium pressure. With its replaceable nozzles and moving water-breaking system, it enables you to irrigate your field with an excellent and uniform water distribution. It rotates full circle and semi-circle at same speed.

It is suitable for any use, agricultural or industrial. It has single-hole nozzle of new type. As it is, it operates with less water, minimizing the problem of nozzle-clogging arising from wastewater. It has special paint of new type and it is much more durable against environmental factors thanks to new type powder paint.

PACKAGE

PCS		WEIGHT(kg)		SIZE(cm)	
Inner box	Box	Inner box	Box	Inner box	Box
-	1	-	-	-	80.5*22.2*28.5

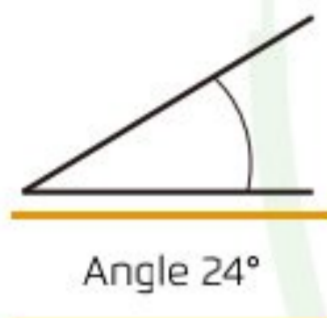
1702.00F1

Flange connection

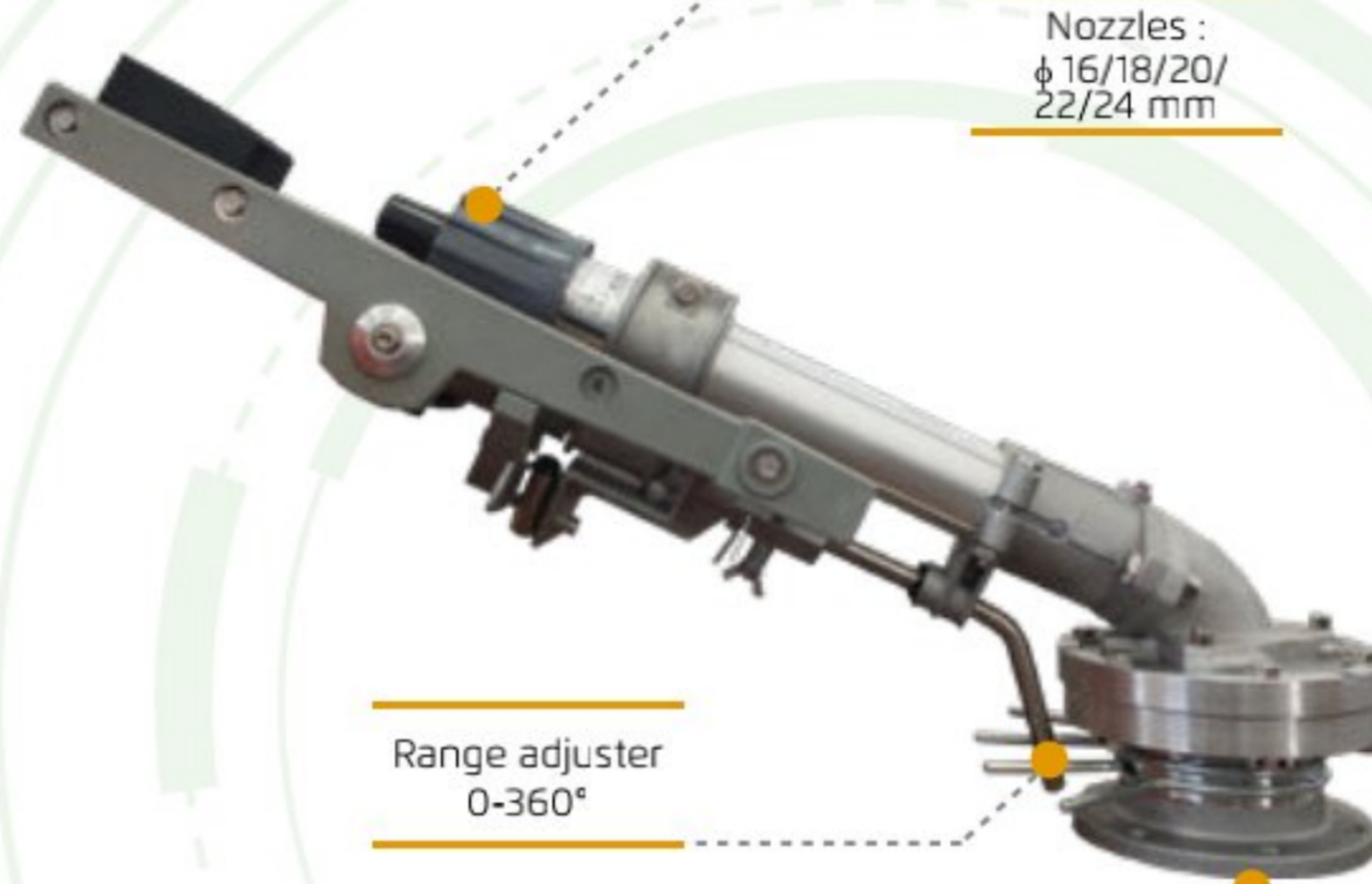


Tail Piece Flange

▲ 2"



Angle 24°



Nozzles :
φ 16/18/20/
22/24 mm

Range adjuster
0-360°

Flange 2"

PARAMETER

- Size:** Thread 2" BSPT
- Material:** Aluminum alloy, copper, stainless steel, PA
- Sprinkling rang:** 27-55 M
- working pressure:** 0.2-0.7 Mpa
- Flow:** 15-60 L/H
- Nozzles:** 16mm, 18mm, 20mm, 22mm, 24mm
- Rotation angle:** 360° adjustable

APPLICATION

- Irrigation
- Landscapes
- Nurseries
- Coffee Plantations
- Sports fields, Golf Courses
- Dust Suppression in Mines/ Industrie

■ The sprinkler of middle capacity, and pressure, rotating at a full circle or parts circle, with the slow return. Particularly suitable for all types of water machines can be used also for center pivots and normal installations. An intermittent and adjustable jet-breaker working only on the return allows us to get a uniform distribution of rainfall all over the irrigated area. Its operation, of entirely new conception, prevent any vibrations and counter-strikes, granting absolute safety to the user. It works without problems also slopewise.

PACKAGE

PCS		WEIGHT(kg)		SIZE(cm)	
Inner box	Box	Inner box	Box	Inner box	Box
-	1	-	-	-	85*22.2*27

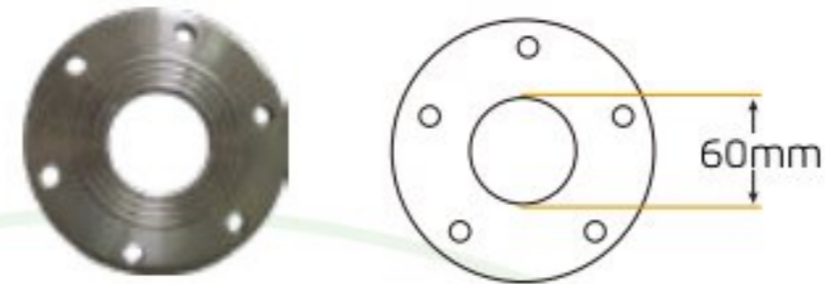
TECHNICAL PARAMETERS

U	P	Q	G
mm	kg/m ²	m ³ /h	m
16	2	14.2	27
	3	17.5	32.2
	4	19.9	36
	5	22.8	39
	6	24.7	42.6
18	7	26.6	44
	2	17.9	29
	3	21.9	34
	4	25.5	38.4
	5	28.2	42
20	6	30.9	45
	7	33.2	47.2
	2	22.2	31
	3	26.7	36
	4	31.5	41.2
22	5	35.1	44
	6	38.1	47.1
	7	42.2	49
	2	26.8	33
	3	33.5	37.5
24	4	37.9	43
	5	42.5	46
	6	46.5	49.5
	7	49.8	52
	2	31.8	34
24	3	39.5	40
	4	45.3	44.3
	5	50.3	48
	6	54.6	52
	7	58.8	55.2

1702.00F2

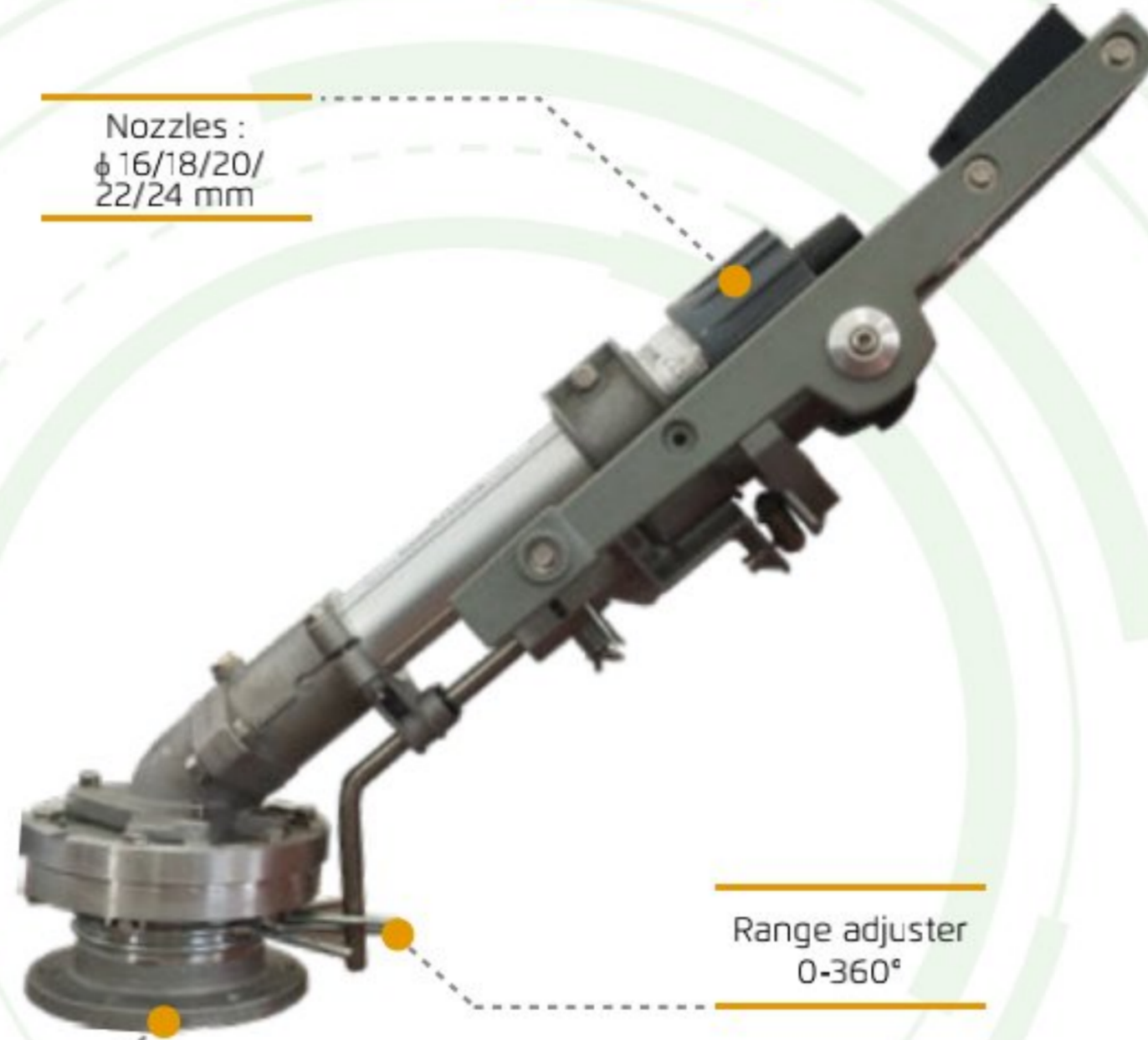
Flange connection

▲ 2"



Tail Piece Flange

Nozzles :
φ 16/18/20/
22/24 mm



Flange 2"

Range adjuster
0-360°



Angle 43°

PARAMETER

- Size:** Thread 2" BSPT
- Material:** Aluminum alloy, copper, stainless steel, PA
- Sprinkling rang:** 31-53 M
- working pressure:** 0.3-0.8 Mpa
- Flow:** 15-60 L/H
- Nozzles:** 16mm, 18mm, 20mm, 22mm, 24mm
- Rotation angle:** 360° adjustable

APPLICATION

- Irrigation
- Landscapes
- Nurseries
- Coffee Plantations
- Sports fields, Golf Courses
- Dust Suppression in Mines/ Industrie

TECHNICAL PARAMETERS

U	P	Q	G
mm	kg/m ²	m ³ /h	m
16	3	17.5	31
	4	19.9	34
	5	22.8	36
	6	24.7	39
	7	26.6	41
18	8	28.5	42
	3	21.9	33
	4	25.5	36
	5	28.2	39
	6	30.9	41
20	7	33.2	43
	8	35.8	45
	3	25.8	35
	4	32.3	39
	5	35	41
22	6	38.5	44
	7	41.5	46
	8	44.5	48
	3	33.5	38
	4	37.9	41
24	5	42.5	44
	6	46.5	46
	7	49.8	48
	8	53.2	50
	3	39.5	40
24	4	45.3	43.6
	5	50.3	46
	6	54.6	48
	7	58.8	51.5
	8	63.3	53

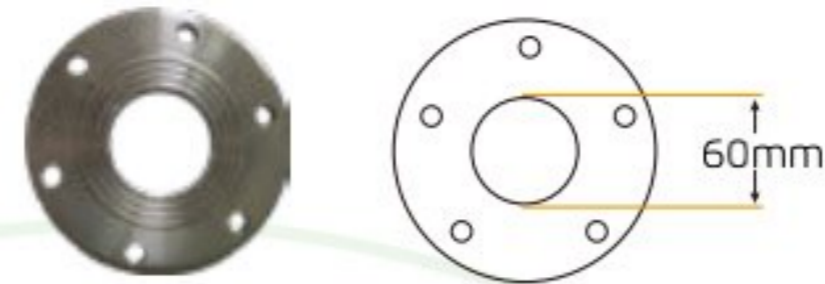
■ The sprinkler of middle capacity, and pressure, rotating at a full circle or parts circle, with the slow return. Particularly suitable for all types of water machines can be used also for center pivots and normal installations. An intermittent and adjustable jet-breaker working only on the return allows us to get a uniform distribution of rainfall all over the irrigated area. Its operation, of entirely new conception, prevent any vibrations and counter-strikes, granting absolute safety to the user. It works without problems also slopewise.

PACKAGE

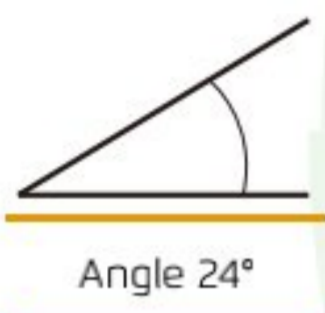
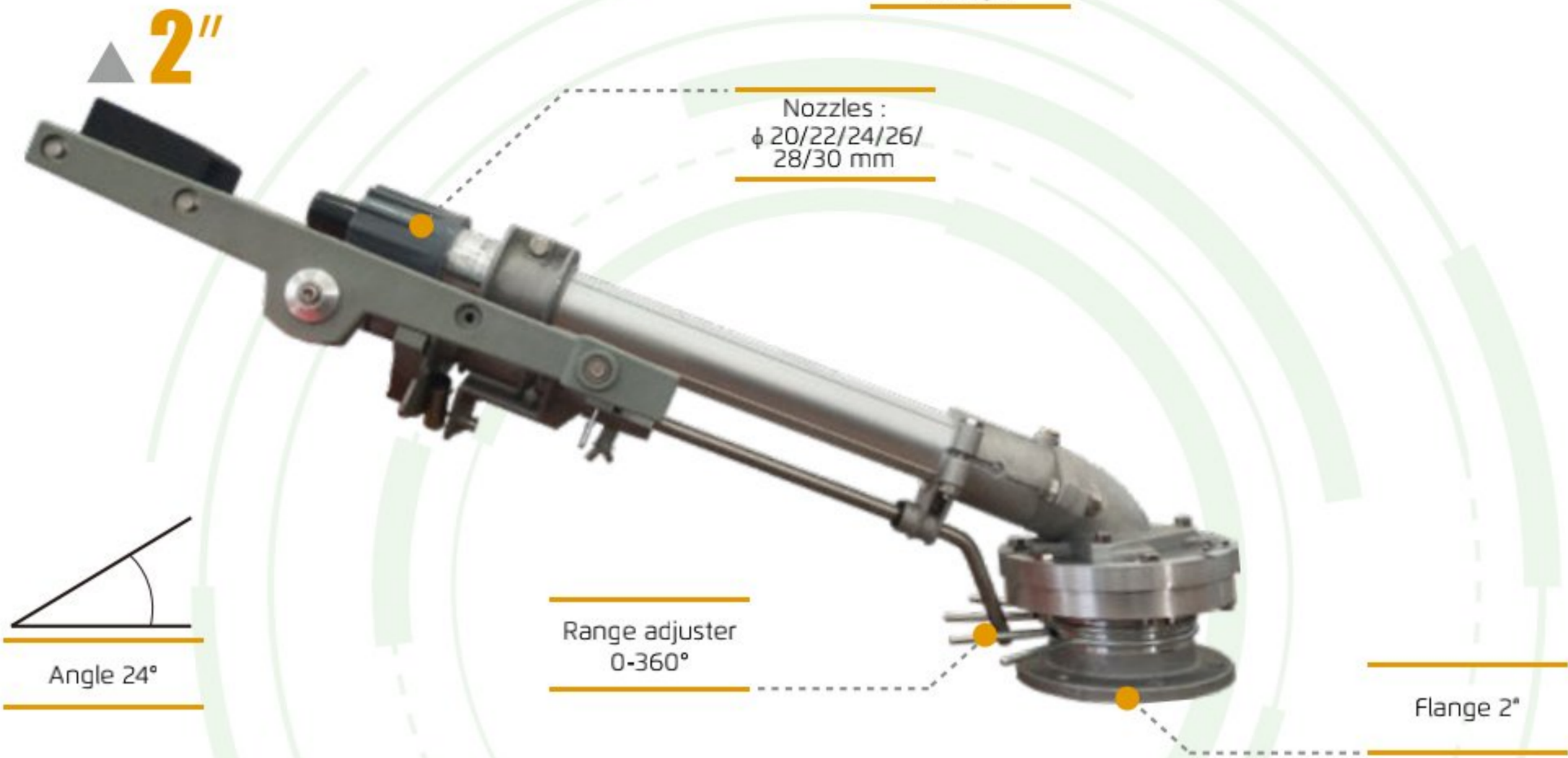
PCS		WEIGHT(kg)		SIZE(cm)	
Inner box	Box	Inner box	Box	Inner box	Box
-	1	-	-	-	80.5*22.2*28.5

1702.00F3

Flange connection



Tail Piece Flange



PARAMETER

- Size:** Thread 2" BSPT (Long)
- Material:** Aluminum alloy, copper, stainless steel, PA
- Sprinkling rang:** 31-63 M
- working pressure:** 0.2-0.7 Mpa
- Flow:** 22-93 L/H
- Nozzles:** 20mm, 22mm, 24mm, 26mm, 28mm, 30mm
- Rotation angle:** 360° adjustable

APPLICATION

- Irrigation
- Landscapes
- Nurseries
- Coffee Plantations
- Sports fields, Golf Courses
- Dust Suppression in Mines/ Industrie

TECHNICAL PARAMETERS

U	P	Q	G
mm	kg/m ²	m ³ /h	m
20	2	22.2	31
	3	26.7	36
	4	31.5	41.2
	5	35.1	44
	6	38.1	47.1
22	2	26.8	33
	3	33.5	37.5
	4	37.9	43
	5	42.5	46
	6	46.5	49.5
24	2	31.8	34
	3	39.5	40
	4	45.3	44.3
	5	50.3	48
	6	54.6	52
26	2	37.5	36.6
	3	45.7	42
	4	52.3	47
	5	58.9	51.5
	6	64.5	55
28	2	43.2	37
	3	52.7	43
	4	61.1	49
	5	67.8	53.2
	6	74.6	57
30	2	49.3	39
	3	60.5	45
	4	70	51
	5	78	55.8
	6	85.7	59
7	92.8	63.5	

The sprinkler of middle capacity, and pressure, rotating at a full circle or parts circle, with the slow return. Particularly suitable for all types of water machines can be used also for center pivots and normal installations. An intermittent and adjustable jet-breaker working only on the return allows us to get a uniform distribution of rainfall all over the irrigated area. Its operation, of entirely new conception, prevent any vibrations and counter-strikes, granting absolute safety to the user. It works without problems also slopewise.

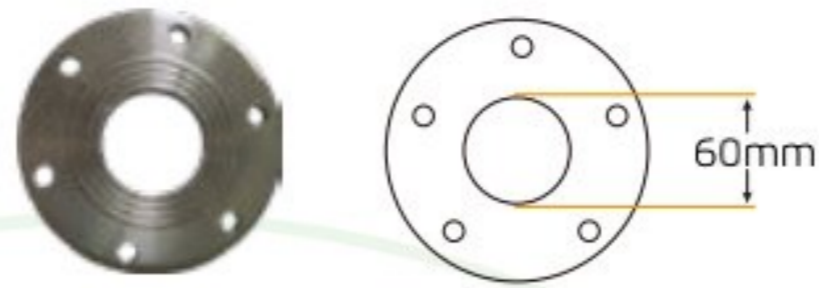
PACKAGE

PCS		WEIGHT(kg)		SIZE(cm)	
Inner box	Box	Inner box	Box	Inner box	Box
-	1	-	-	-	98*22.2*27

1702.00F4

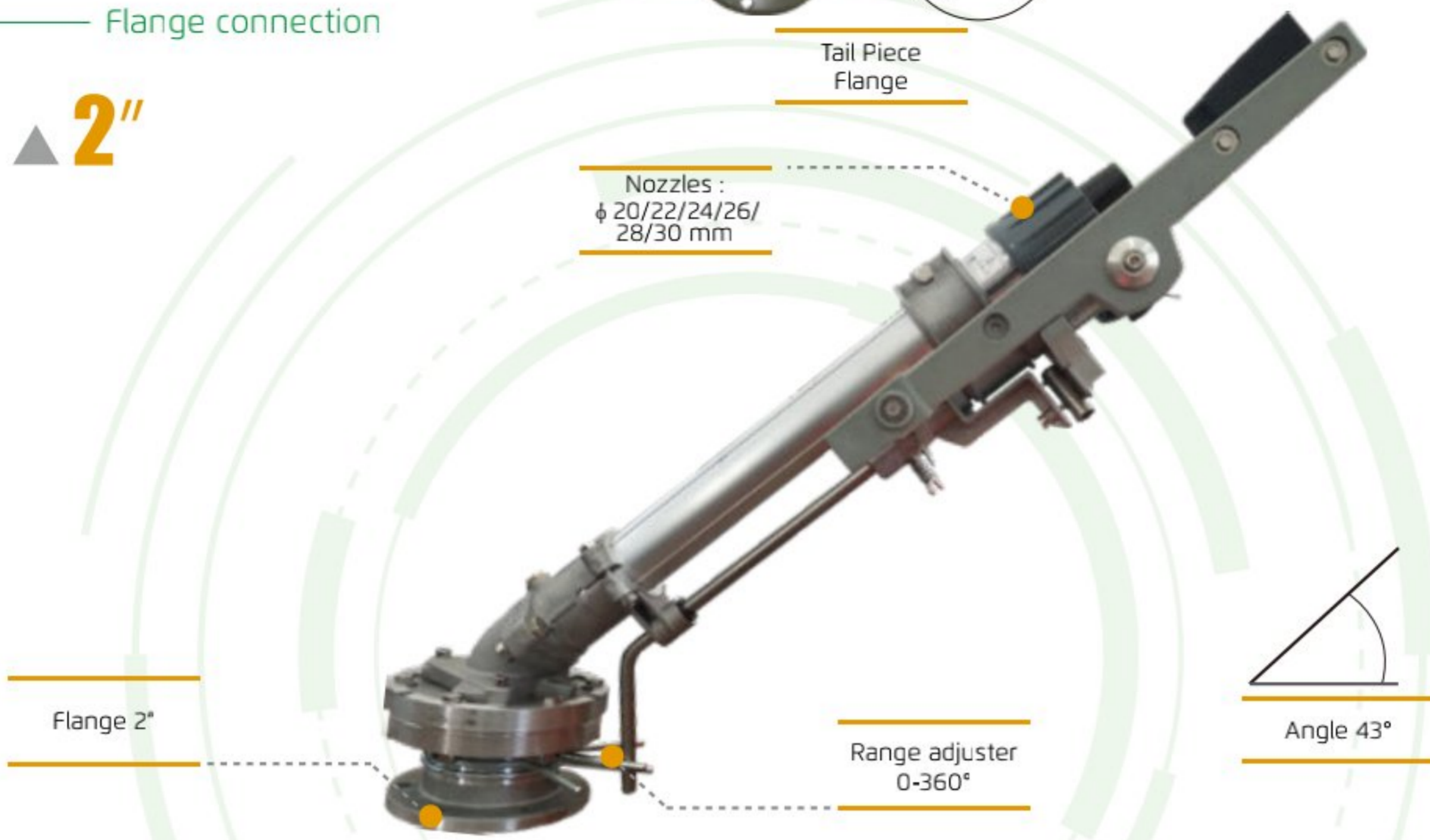
Flange connection

▲ 2"



Tail Piece Flange

Nozzles :
φ 20/22/24/26/
28/30 mm



Flange 2"

Range adjuster
0-360°

Angle 43°

PARAMETER

- Size:** Thread 2" BSPT (Long)
- Material:** Aluminum alloy, copper, stainless steel, PA
- Sprinkling rang:** 31-58 M
- working pressure:** 0.3-0.8 Mpa
- Flow:** 22-93 L/H
- Nozzles:** 20mm, 22mm, 24mm, 26mm, 28mm, 30mm
- Rotation angle:** 360° adjustable

APPLICATION

- Irrigation
- Landscapes
- Nurseries
- Coffee Plantations
- Sports fields, Golf Courses
- Dust Suppression in Mines/ Industrie

TECHNICAL PARAMETERS

U	P	Q	G
mm	kg/m ²	m ³ /h	m
20	3	17.5	31
	4	19.9	34
	5	22.8	36
	6	24.7	39
	7	26.6	41
	8	28.5	42
22	3	21.9	33
	4	25.5	36
	5	28.2	39
	6	30.9	41
	7	33.2	43
	8	35.8	45
24	3	25.8	35
	4	32.3	39
	5	35	41
	6	38.5	44
	7	41.5	46
	8	44.5	48
26	3	33.5	38
	4	37.9	41
	5	42.5	44
	6	46.5	46
	7	49.8	48
	8	53.2	50
28	3	39.5	40
	4	45.3	43.6
	5	50.3	46
	6	54.6	48
	7	58.8	51.5
	8	63.3	53
30	3	60.2	47
	4	71.5	51
	5	78.3	53
	6	85.5	54
	7	92.8	56.3
	8	98.9	58.8

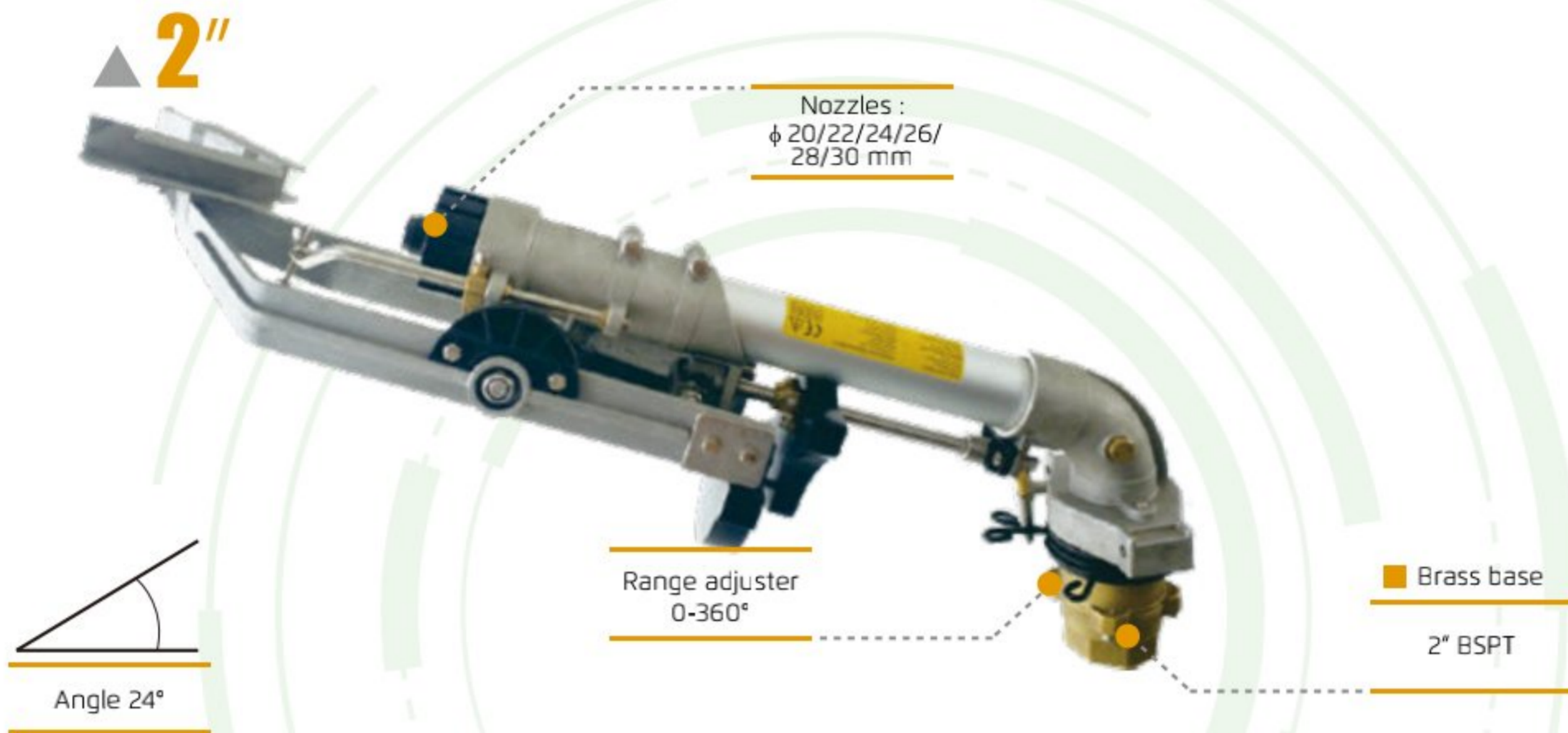
■ The sprinkler of middle capacity, and pressure, rotating at a full circle or parts circle, with the slow return. Particularly suitable for all types of water machines can be used also for center pivots and normal installations. An intermittent and adjustable jet-breaker working only on the return allows us to get a uniform distribution of rainfall all over the irrigated area. Its operation, of entirely new conception, prevent any vibrations and counter-strikes, granting absolute safety to the user. It works without problems also slopewise.

PACKAGE

PCS		WEIGHT(kg)		SIZE(cm)	
Inner box	Box	Inner box	Box	Inner box	Box
-	1	-	-	-	80.5*22.2*28.5

1703.00F1

Female thread



PARAMETER

- Size:** Thread 2" BSPT
- Material:** Aluminum alloy, copper, stainless steel, PA
- Sprinkling rang:** 23-56 M
- working pressure:** 0.15-0.7 Mpa
- Flow:** 10-70 L/H
- Nozzles:** 20mm, 22mm, 24mm, 26mm, 28mm, 30mm
- Rotation angle:** 360° adjustable

APPLICATION

- Irrigation
- Landscapes
- Nurseries
- Coffee Plantations
- Sports fields, Golf Courses
- Dust Suppression in Mines/ Industrie

TECHNICAL PARAMETERS

U	P	Q	G
mm	kg/m ²	m ³ /h	m
20	2	22.2	31
	3	26.7	36
	4	31.5	41.2
	5	35.1	44
	6	38.1	47.1
22	2	26.8	33
	3	33.5	37.5
	4	37.9	43
	5	42.5	46
	6	46.5	49.5
24	2	31.8	34
	3	39.5	40
	4	45.3	44.3
	5	50.3	48
	6	54.6	52
26	2	37.5	36.6
	3	45.7	42
	4	52.3	47
	5	58.9	51.5
	6	64.5	55
28	2	43.2	37
	3	52.7	43
	4	61.1	49
	5	67.8	53.2
	6	74.6	57
30	2	49.3	39
	3	60.5	45
	4	70	51
	5	78	55.8
	6	85.7	59
7	92.8	63.5	

The sprinkler of middle capacity, and pressure, rotating at a full circle or parts circle, with the slow return. Particularly suitable for all types of water machines can be used also for center pivots and normal installations. An intermittent and adjustable jet-breaker working only on the return allows us to get a uniform distribution of rainfall all over the irrigated area. Its operation, of entirely new conception, prevent any vibrations and counter-strikes, granting absolute safety to the user. It works without problems also slopewise.

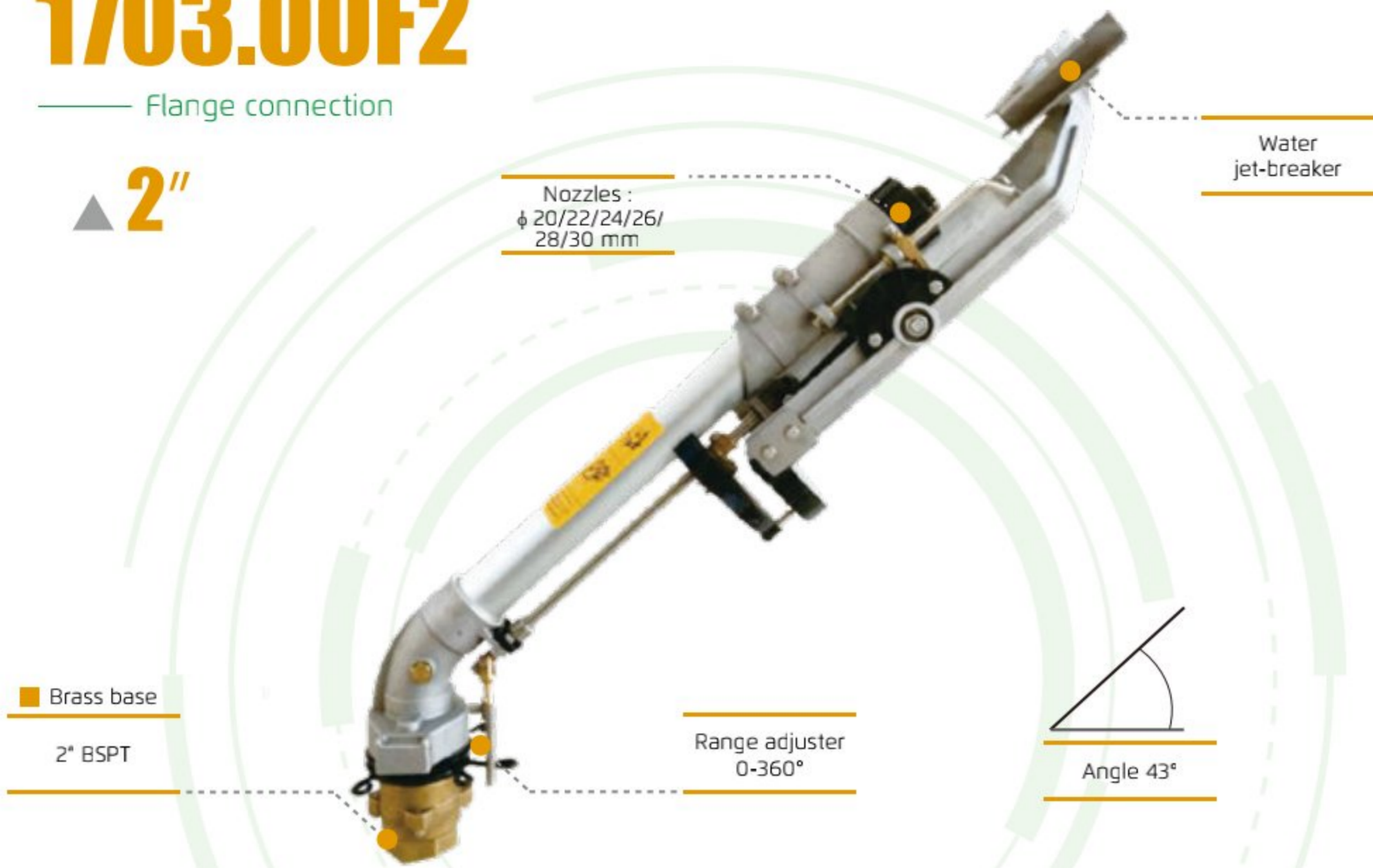
PACKAGE

PCS		WEIGHT(kg)		SIZE(cm)	
Inner box	Box	Inner box	Box	Inner box	Box
-	1	-	-	-	86.5*22.2*28.5

1703.00F2

Flange connection

▲ 2"



PARAMETER

- Size:** Thread 2" BSPT (Long)
- Material:** Aluminum alloy, copper, stainless steel, PA
- Sprinkling rang:** 31-58 M
- working pressure:** 0.15-0.8 Mpa
- Flow:** 10-70 L/H
- Nozzles:** 20mm, 22mm, 24mm, 26mm, 28mm, 30mm
- Rotation angle:** 360° adjustable

APPLICATION

- Irrigation
- Landscapes
- Nurseries
- Coffee Plantations
- Sports fields, Golf Courses
- Dust Suppression in Mines/ Industrie

■ The sprinkler of middle capacity, and pressure, rotating at a full circle or parts circle, with the slow return. Particularly suitable for all types of water machines can be used also for center pivots and normal installations. An intermittent and adjustable jet-breaker working only on the return allows us to get a uniform distribution of rainfall all over the irrigated area. Its operation, of entirely new conception, prevent any vibrations and counter-strikes, granting absolute safety to the user. It works without problems also slopewise.

PACKAGE

PCS		WEIGHT(kg)		SIZE(cm)	
Inner box	Box	Inner box	Box	Inner box	Box
-	1	-	-	-	99.7*22.2*28.5

TECHNICAL PARAMETERS

U	P	Q	G
mm	kg/m ²	m ³ /h	m
20	3	17.5	31
	4	19.9	34
	5	22.8	36
	6	24.7	39
	7	26.6	41
22	8	28.5	42
	3	21.9	33
	4	25.5	36
	5	28.2	39
	6	30.9	41
24	7	33.2	43
	8	35.8	45
	3	25.8	35
	4	32.3	39
	5	35	41
26	6	38.5	44
	7	41.5	46
	8	44.5	48
	3	33.5	38
	4	37.9	41
28	5	42.5	44
	6	46.5	46
	7	49.8	48
	8	53.2	50
	3	39.5	40
30	4	45.3	43.6
	5	50.3	46
	6	54.6	48
	7	58.8	51.5
	8	63.3	53
	3	60.2	47
	4	71.5	51
	5	78.3	53
	6	85.5	54
	7	92.8	56.3
	8	98.9	58.8

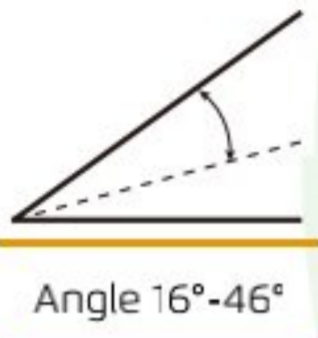
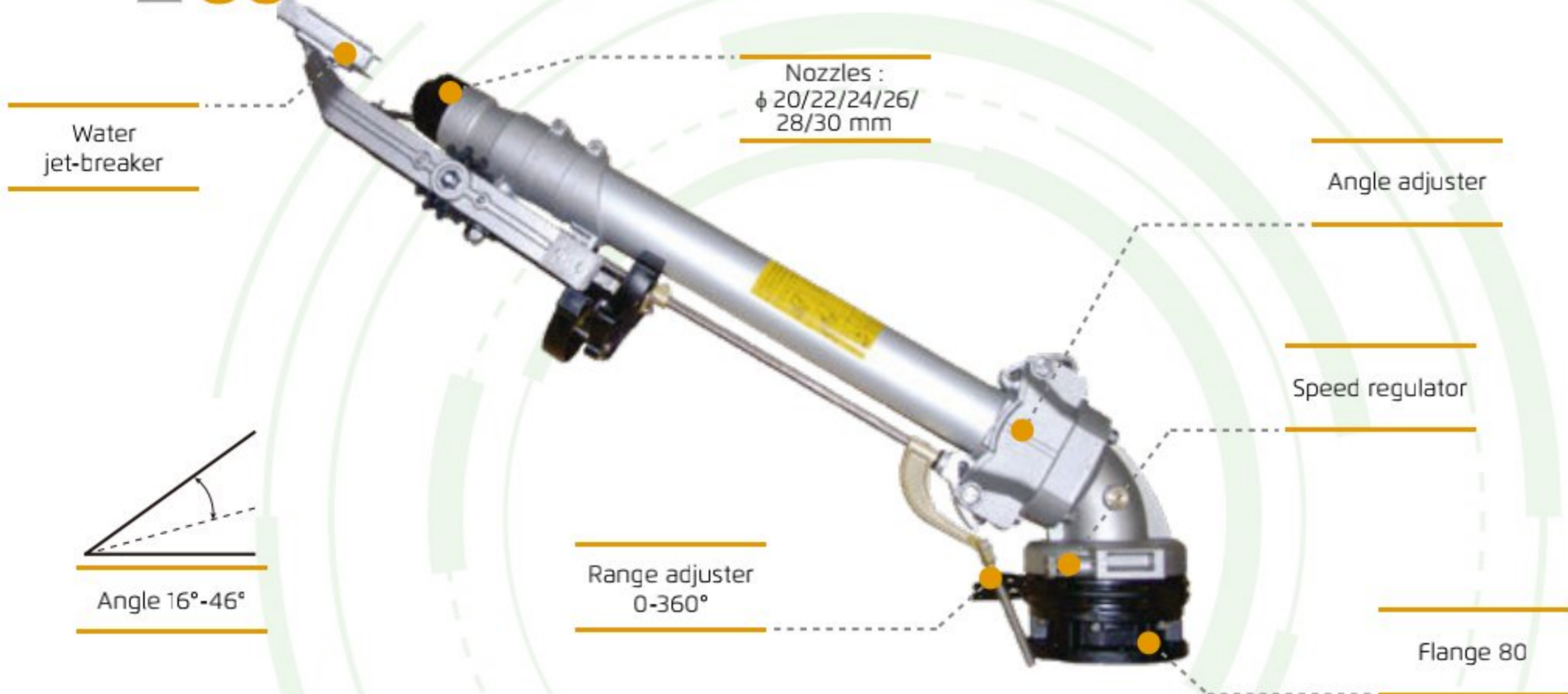
1703.0001

Adjustable angle

Flange connection



80



PARAMETER

- Size:** Flange 80
- Material:** Aluminum alloy, copper, stainless steel, PA
- Sprinkling rang:** 37-80 M
- working pressure:** 0.3-0.8 Mpa
- Flow:** 58-174 L/H
- Nozzles:** 22mm, 24mm, 26mm, 28mm, 30mm, 32mm, 34mm, 36mm, 38mm, 40mm
- Rotation angle:** 360° adjustable

APPLICATION

- Irrigation
- Landscapes
- Nurseries
- Coffee Plantations
- Sports fields, Golf Courses
- Dust Suppression in Mines/ Industrie

The sprinkler of middle capacity, and pressure, rotating at a full circle or parts circle, with the slow return. Particularly suitable for all types of water machines can be used also for center pivots and normal installations. An intermittent and adjustable jet-breaker working only on the return allows us to get a uniform distribution of rainfall all over the irrigated area. Its operation, of entirely new conception, prevent any vibrations and counter-strikes, granting absolute safety to the user. It works without problems also slopewise.

PACKAGE

PCS		WEIGHT(kg)		SIZE(cm)	
Inner box	Box	Inner box	Box	Inner box	Box
-	1	-	-	-	99.7*22.2*28.5

TECHNICAL PARAMETERS

U	P	Q	G
mm	kg/cm ²	m ³ /h	m
22	3	31.3	23
	4	36.2	25
	5	40.5	29
	6	44.4	32
24	3	37.3	27
	4	43.2	32
	5	48.3	36
	6	52.9	39
26	3	43.9	29
	4	50.7	33
	5	56.7	37
	6	62.2	41
28	3	50.9	30
	4	58.8	35
	5	65.7	39
	6	72.1	43
30	3	58.4	37
	4	67.6	41
	5	75.6	45
	6	82.8	48
32	4	76.9	54
	5	85.9	54
	6	94.2	54
	7	101.6	54
34	5	97.1	59
	6	106.4	59
	7	114.8	59
	8	122.8	59
36	5	108.8	61
	6	119.3	61
	7	128.6	61
	8	137.7	61
38	5	121.3	63
	6	132.9	63
	7	143.4	63
	8	153.5	63
40	5	134.4	65
	6	147.3	69
	7	158.9	73
	8	170	73